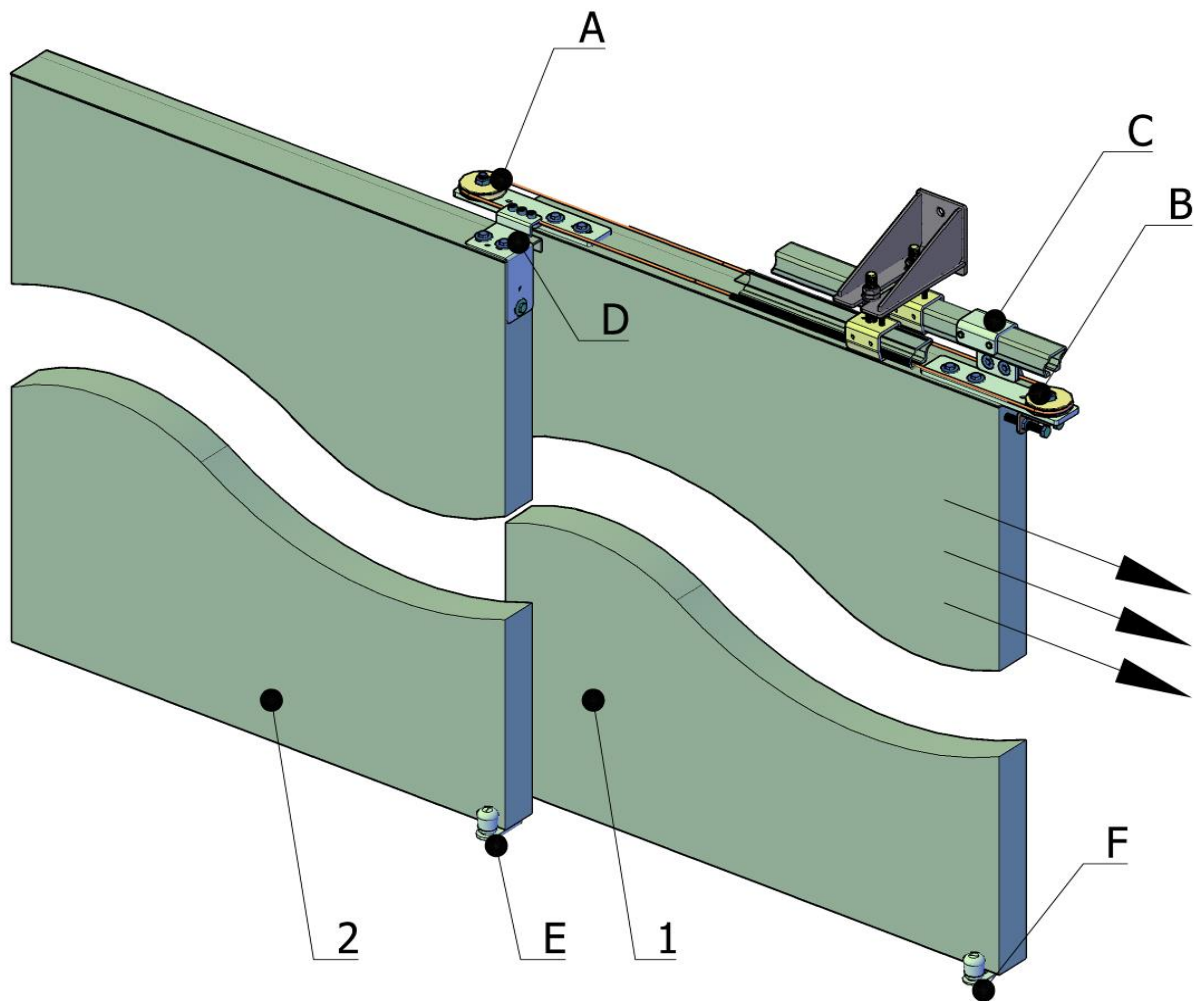




SPECIFICS OF INSTALLATION SGS-T

Installation shall be carried out according to the standard installation manual SGS, with the exception of the differences mentioned in this document.

1. GENERAL ASSEMBLY SGS-T (2+0)



(right variant in the drawing)

- 1** - leaf 1 = back leaf (by the wall)
- 2** - leaf 2 = front leaf (leaf further from the wall)

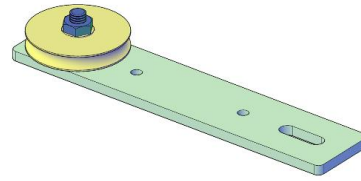
opening direction of the leaf

- A** - bracket of the pulley on the top edge profile without tensioner
- B** - bracket of the pulley on the top edge profile with tensioner
- C** - anchor profile of the wire rope
- D** - wire rope holder
- E** - telescopic guide
- F** - floor guide SGS-T

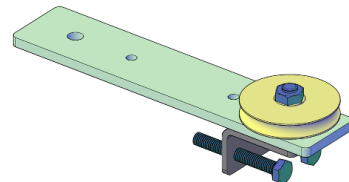


2. SPECIFIC COMPONENTS SGS-T

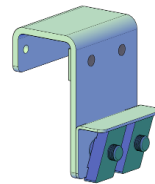
A. bracket of the pulley on the top edge profile without tensioner



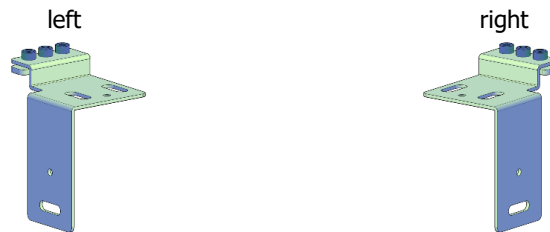
B. bracket of the pulley on the top edge profile with tensioner



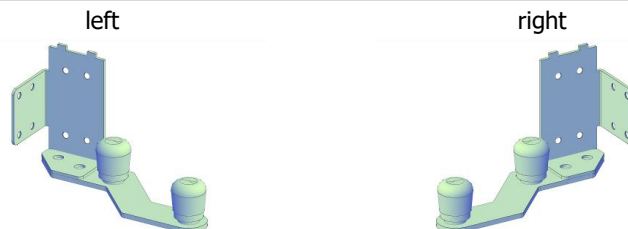
C. anchor profile of the wire rope



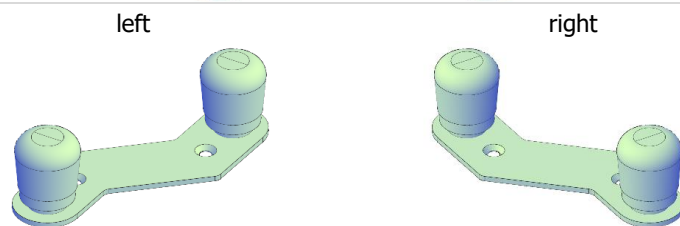
D. wire rope holder



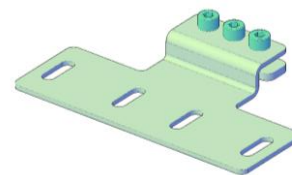
E. telescopic guide



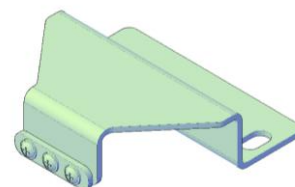
F. floor guide SGS-T



G. wire rope holder 3T on the bracket of the pulley



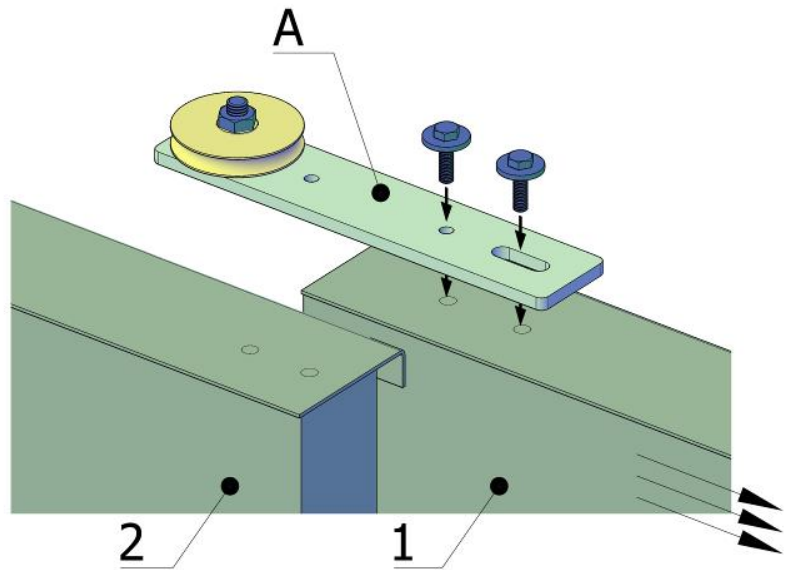
H. wire rope holder 3T on the middle leaf



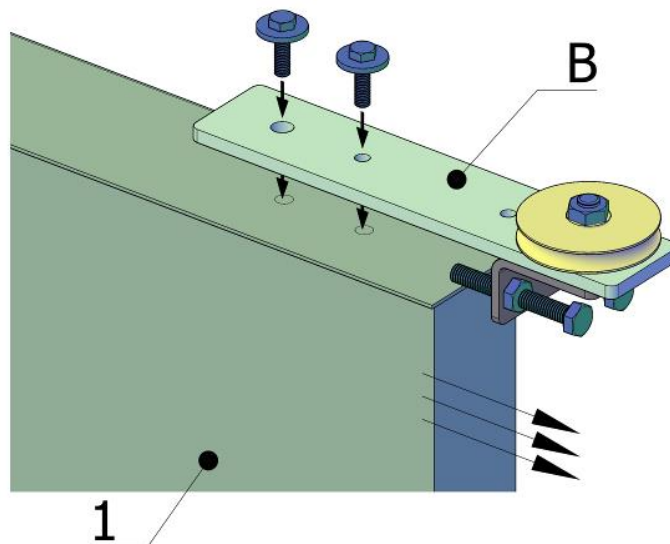


3. INSTALLATION OF THE SPECIFIC COMPONENTS

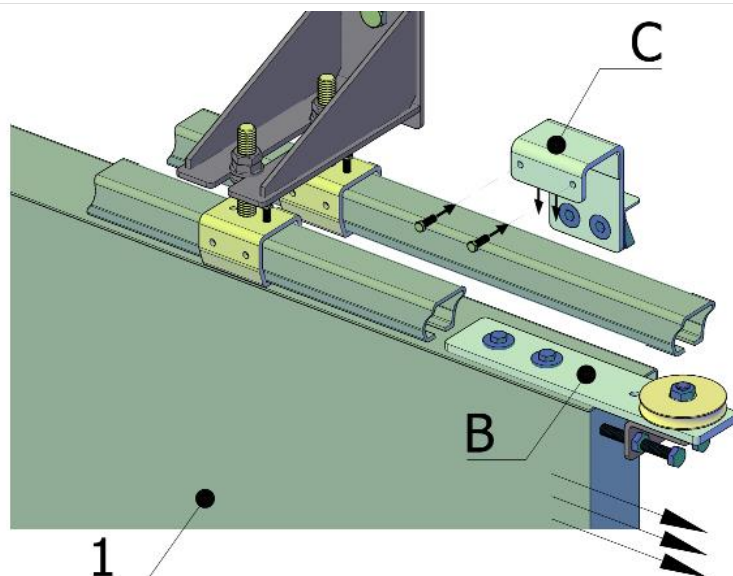
installation of the bracket of the pulley without tensioner **A** on the leaf **2** using screws of the top edge profile



installation of the bracket of the pulley with tensioner **B** on the leaf **1** using screws of the top edge profile

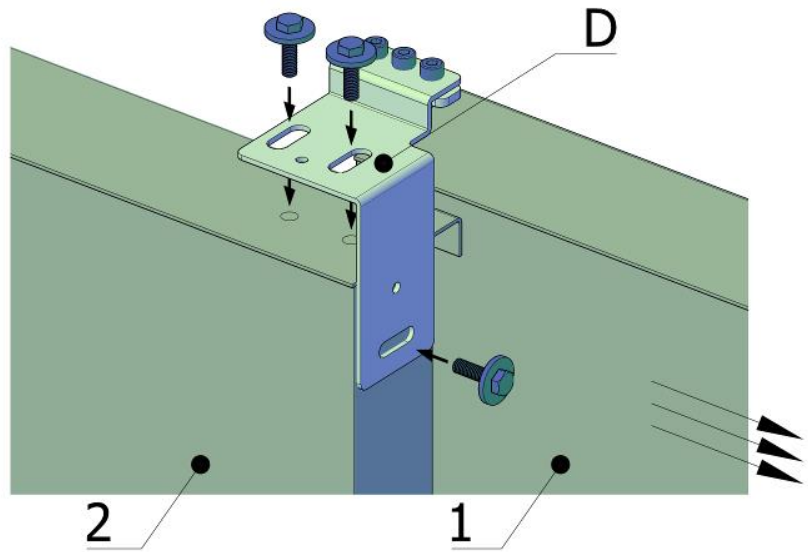


installation of the anchor profile of the wire rope **C** on the rail by the wall above the leaf **1**

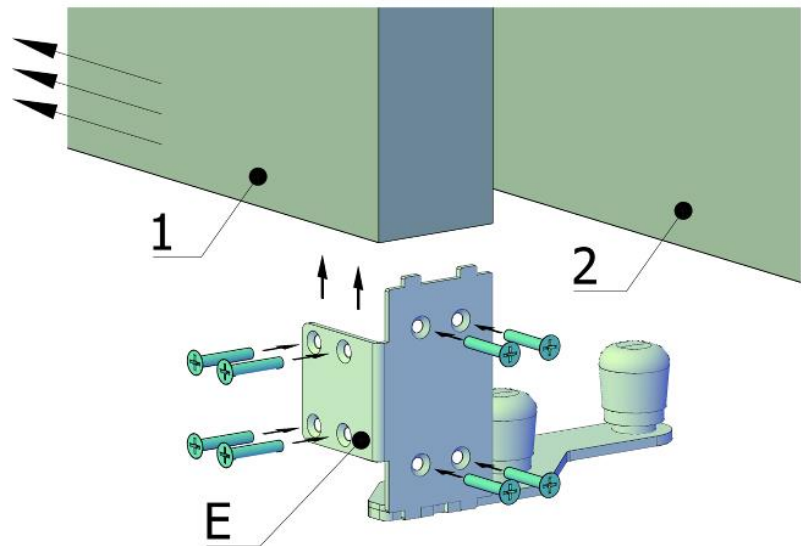




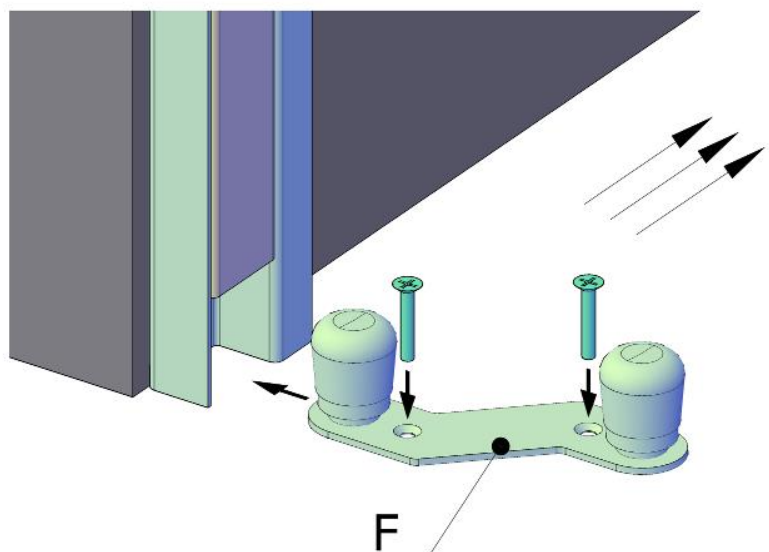
installation of the wire rope holder **D** on the leaf **2**

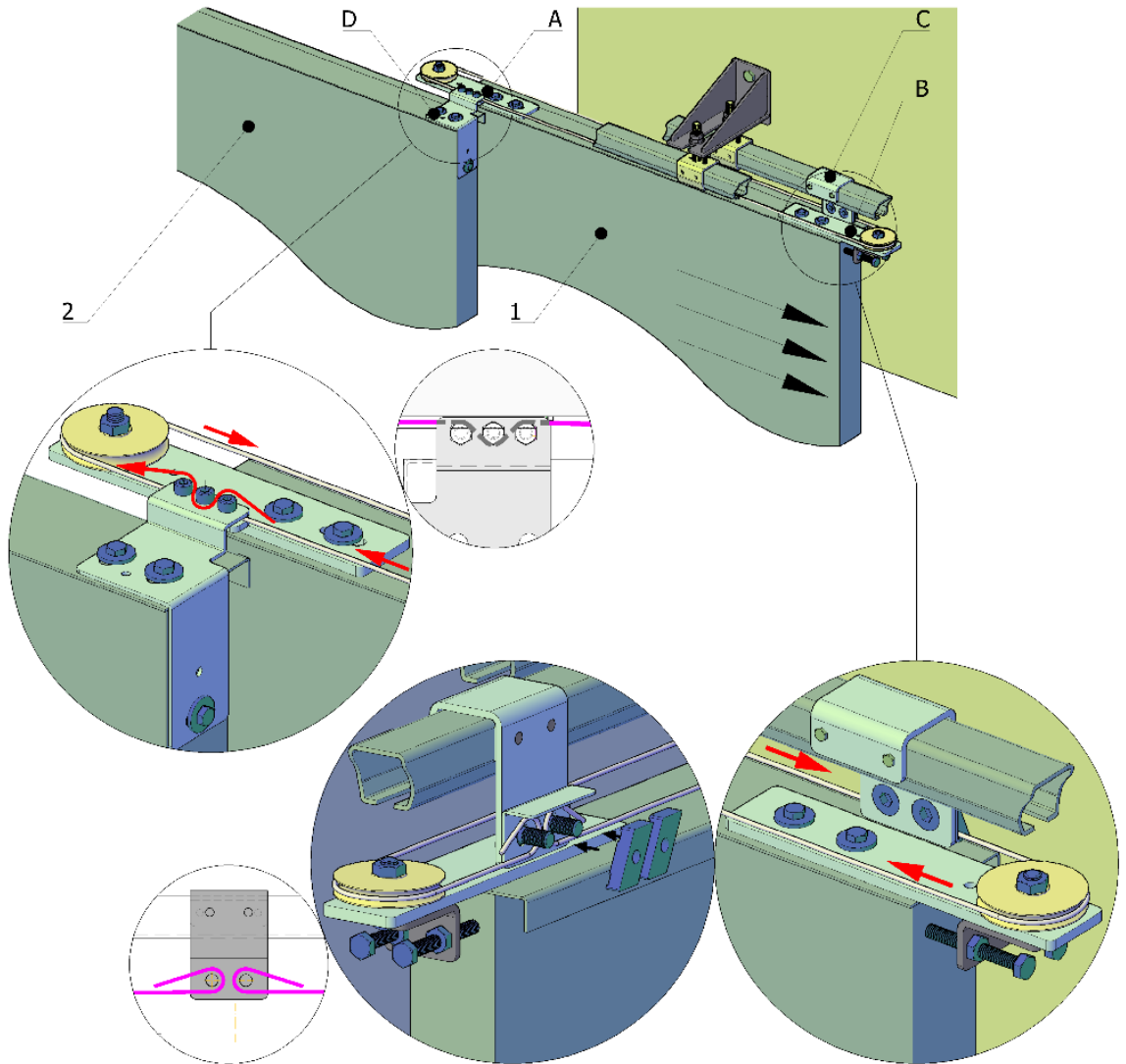


installation of the telescopic guide **E** on the leaf **1**



installation of the floor guide **F** into the wall lathing cut-out





wire rope
installation
on the gate
leaf **1**

SPECIFICS OF INSTALLATION SGS-T





4. GENERAL ASSEMBLY SGS-T (3+0)

in case of **SGS-T (3+0)** the wire rope installation is repeated on both leaves closer to the wall

leaf **1** (by the wall):

- 1x bracket of the pulley on the top edge profile without tensioner **A** and wire rope holder 3T **H**
- 1x bracket of the pulley on the top edge profile with tensioner **B**
- 1x anchor profile of the wire rope **C** (installation on the rail)
- 1x telescopic guide **E**

leaf **2** (middle):

- 1x bracket of the pulley on the top edge profile without tensioner **A**
- 1x bracket of the pulley on the top edge profile with tensioner **B** and wire rope holder 3T **G**
- 1x telescopic guide **E**

leaf **3** (furthest from the wall):

- 1x wire rope holder **D**

